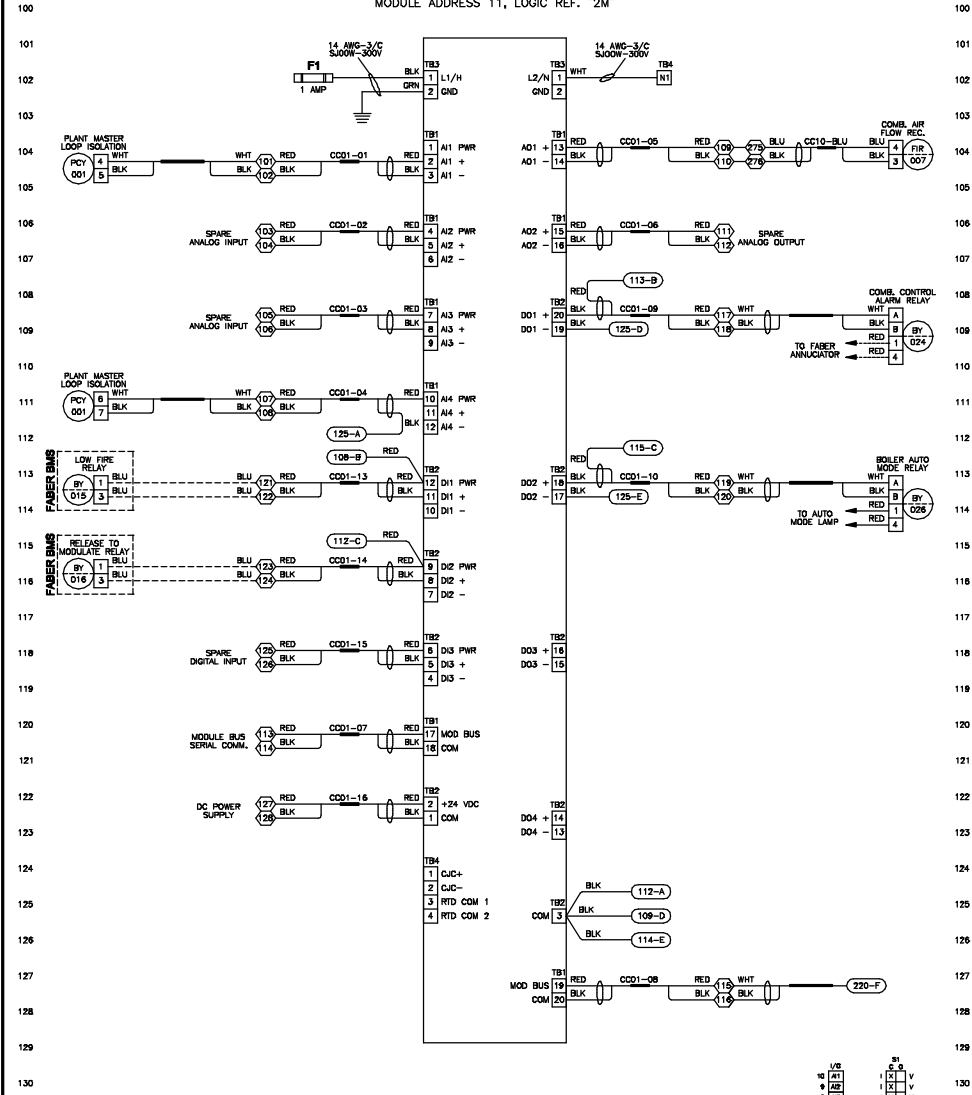


# BOILER 14 MASTER CONTROLLER

BAILEY F&P, MODEL SLC01  
MODULE ADDRESS 11, LOGIC REF. "2M"



**WIRING NOTES:**

- (1) (22) TERMINATIONS IN FREE-STANDING CONTROL ENCLOSURE
- (2) (13) TERMINATIONS IN OEM INSTRUMENTS AND EQUIPMENT
- (3) ——— WIRING BY ICSS (FACTORY)
- (4) - - - - FIELD WIRING BY OTHERS
- (5) (114-E) WIRING INTERCONNECTION CROSS-REFERENCE (LINE NO. REPRESENTS BOTH SHEET NO. AND LINE NO.)  
e.g. ABOVE REFERENCE BUBBLE INFO:  
SHEET = 01  
LINE = 14  
REF. = E
- (6) DEVICES SHOWN WITHIN DASHED LINES ARE EXTERNAL TO THE CONTROL ENCLOSURE.

**INTEGRAL CONTROL SYSTEM SERVICES, INC.**

**ICSS**

1303 SACKETT AVENUE  
Cuyahoga Falls, Ohio 44223

Office: 330-823-9800 Fax: 330-823-2116

THIS DRAWING IS THE PROPERTY OF INTEGRAL CONTROL SYSTEM SERVICES, INC. NEITHER THE DRAWING, NOR ITS REPRODUCTION OR USE IN ANY MANNER, NOR THE INFORMATION CONTAINED HEREIN, IS TO BE GIVEN TO OTHERS, NOR USED IN TO BE MADE OF IT BEYOND THE ORIGINAL CONTRACT TO INTEGRAL CONTROL SYSTEM SERVICES, INC.

**TITLE:**  
BOILER 14 INSTRUMENTATION & CONTROL SYSTEM  
INSTRUMENT LOOP WIRING (SCHEMATIC)

REV	DATE	CHANGE

**CUSTOMER:**

JOB:	DATE:
DRAWN BY: LA	APPRV. BY: MM
SHEET No:	SHEET 1 OF 8

**DWG. No:** 112198-1

TERMINATION BOARD SWITCH SETTINGS

10	1A1	1	21	V
9	1A2	1	22	V
8	1A3	1	23	V
7	1A4	1	24	V
6	1A5 ACT	X	1A3 NON	
5	1A6 ACT	X	1A3 NON	
4	1A7 ACT	X	1A3 NON	
3	1A8 ACT	X	1A4 NON	
2	1A9	V	1	I
1	1A10	V	1	I

3	1A1	NON	1	BDL
2	1A2	NON	1	BDL
1	1A3	NON	1	BDL