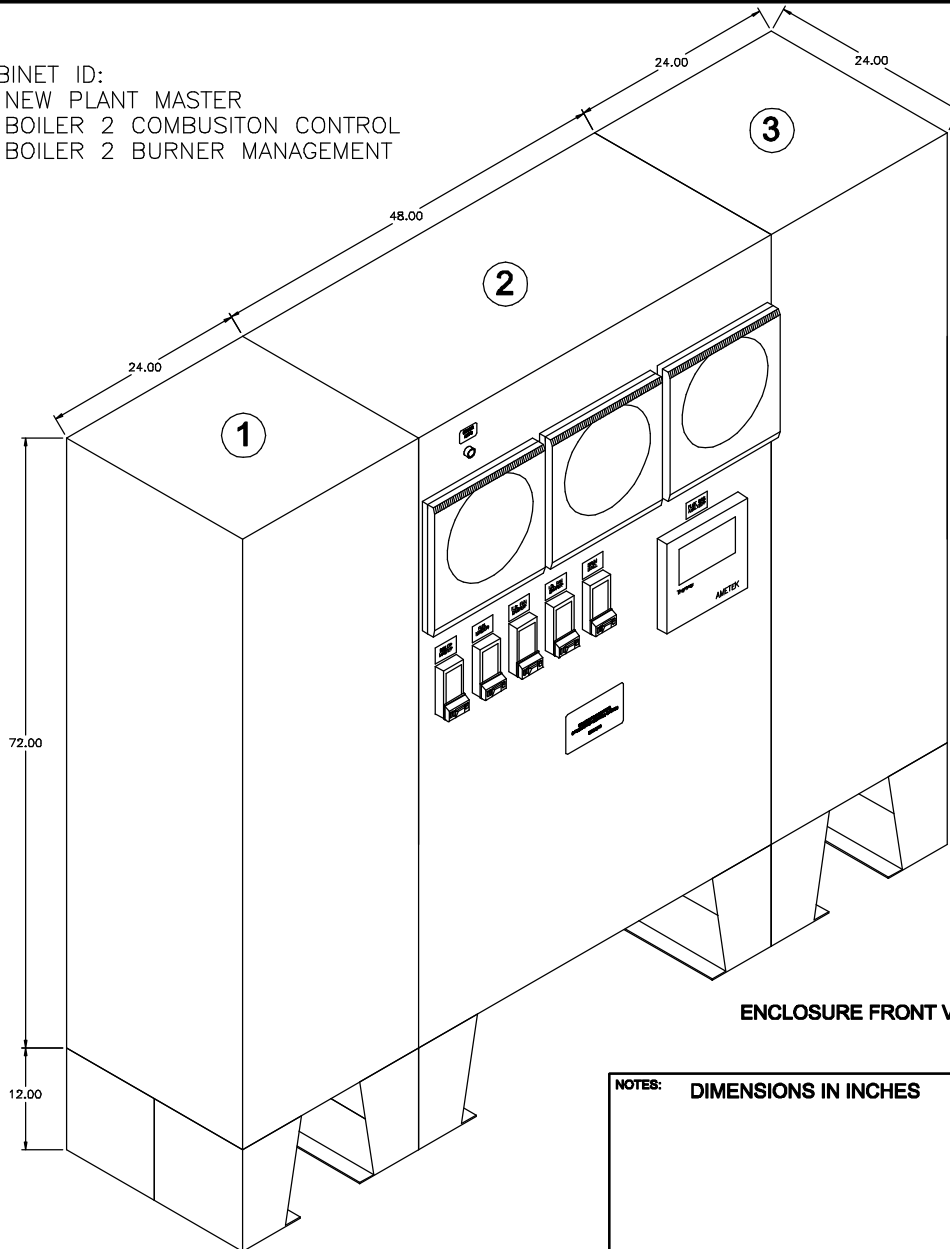



- CABINET ID:
 1. NEW PLANT MASTER
 2. BOILER 2 COMBUSITON CONTROL
 3. BOILER 2 BURNER MANAGEMENT



ENCLOSURE FRONT VIEW LAYOUT

AutoCad File: Bay if Enclosures.dwg

NOTES: DIMENSIONS IN INCHES		INTEGRAL CONTROL SYSTEM SERVICES, INC.  1303 SACKETT AVENUE Cuyahoga Falls, Ohio 44223 Office: 330-923-6900 Fax: 330-923-2116 <small>THIS DRAWING IS THE PROPERTY OF INTEGRAL CONTROL SYSTEM SERVICES, INC. NEITHER THE DRAWING, NOR REPRODUCTIONS OF IT, NOR INFORMATION DERIVED FROM IT IS TO BE GIVEN TO OTHERS. NO USE IS TO BE MADE OF IT WHICH IS OR MAY BE INJURIOUS TO INTEGRAL CONTROL SYSTEM SERVICES, INC.</small>		TITLE: CONTROL ENCLOSURE BAY (LAYOUT)									
		<table border="1"> <tr> <td colspan="2">CUSTOMER:</td> </tr> <tr> <td>JOB:</td> <td>DATE:</td> </tr> <tr> <td>DRAWN BY: LA</td> <td>APRVD. BY: MM</td> </tr> <tr> <td colspan="2">SHEET No: SHEET 1 OF 1</td> </tr> <tr> <td colspan="2">Dwg. No: 082198-1</td> </tr> </table>		CUSTOMER:		JOB:	DATE:	DRAWN BY: LA	APRVD. BY: MM	SHEET No: SHEET 1 OF 1		Dwg. No: 082198-1	
CUSTOMER:													
JOB:	DATE:												
DRAWN BY: LA	APRVD. BY: MM												
SHEET No: SHEET 1 OF 1													
Dwg. No: 082198-1													
REV	DATE	CHANGE											