

4

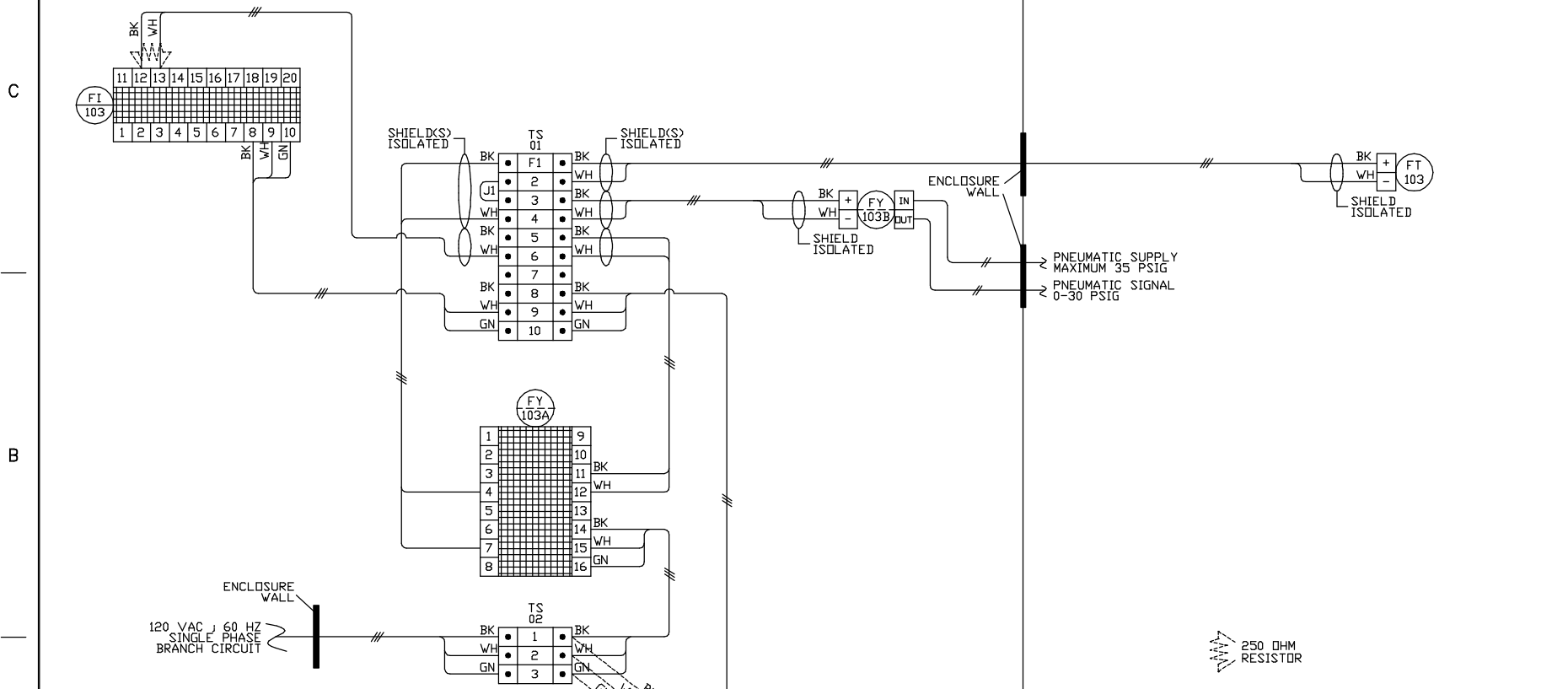
3

2

1

AIR FLOW ELECTRICAL ENCLOSURE (EE-103)

FIELD PROCESS AREA



C

C

B

B

A

A

TAG No.	DESCRIPTION	MANUFACTURER	MODEL No.	CALIBRATION
FI-103	DIGITAL INDICATOR	YOKOGAWA	UM330-00	0-100 PERCENT
FY-103	DIFFERENTIAL PRESS. XMITTER	ROSEMOUNT	3051CDIA52A1A	0-1.34 INCHES W.C.
FY-103A	SIGNAL CONDITIONER	YOKOGAWA	JUXTA WA1A	4-20mA IN/4-20mA OUT
FY-103B	1/2" P. TRANSDUCER	ROSEMOUNT	3311DMIH1	0-30 PSIG
F1	FUSE	BUSS		250V 1 1/4 AMP
EE-103	ELECTRICAL ENCLOSURE	HOF FMAN	A-201612LP	20" X 16" X 12"

REV	DATE	CHANGE	ENGR	APVD	REV	DATE	CHANGE	ENGR	APVD

CUSTOMER:
PLANT:
CONTRACTING FIRM:

INTEGRAL CONTROL SYSTEM SERVICES, INC.

ICSS 3588 State Road #4
Cuyahoga Falls, Ohio 44223
Office: 330-923-8900 Fax: 330-923-2116

INSTRUMENT LOOP AIR FLOW

ICSS JOB NO.:
CUST. ORDER NO.:

DATE: SCALE: NONE

REV DWN LA
ENGR
APVD MM

B052598-1

AutoCAD File: INSTRLOOPAIRFLOW.DWG

4

3

2

1