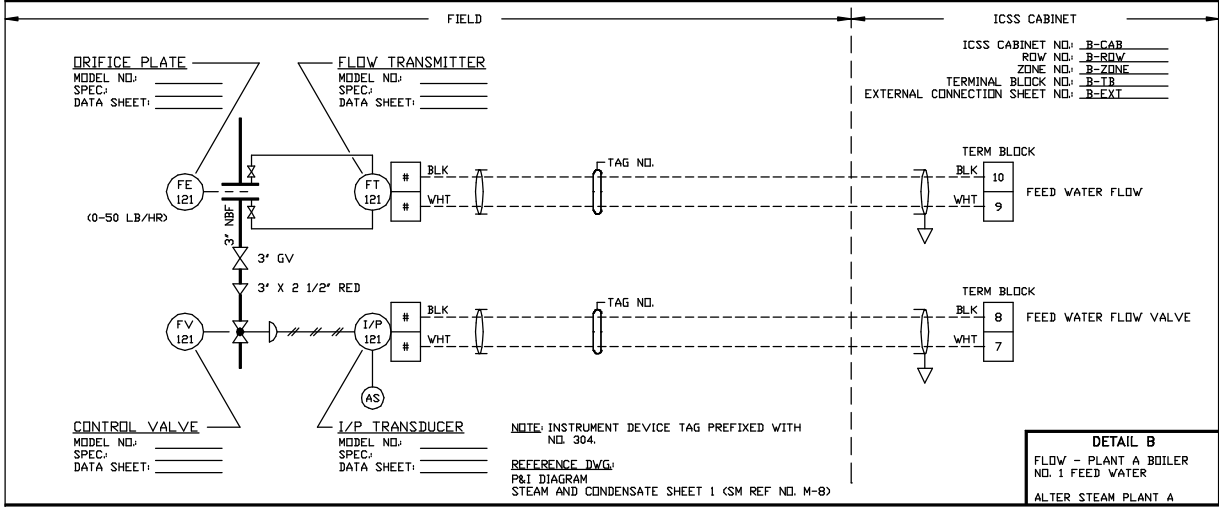




DETAIL A
 BURNER FLAME - PLANT A
 BOILER NO. 1 PILOT
 ALTER STEAM PLANT A



DETAIL B
 FLOW - PLANT A BOILER
 NO. 1 FEED WATER
 ALTER STEAM PLANT A

LEGEND:
 ISOLATED COMMON BUS BAR
 SHIELD WIRE

EXAMPLE DWG.
NOT FOR CONSTRUCTION

AutoCAD NAME: Loopdiag.dwg

INTEGRAL CONTROL SYSTEM SERVICES, INC.
 1303 SACKETT AVENUE
 Cuyahoga Falls, Ohio 44223
 Office: 330-923-6900 Fax: 330-923-2118

ICSS

THIS DRAWING IS THE PROPERTY OF INTEGRAL CONTROL SYSTEM SERVICES, INC. NEITHER THE DRAWING NOR REPRODUCTIONS OF IT, NOR INFORMATION DERIVED FROM IT IS TO BE GIVEN TO OTHERS. NO USE IS TO BE MADE OF IT WHICH IS OR MAY BE INJURIOUS TO INTEGRAL CONTROL SYSTEM SERVICES, INC.

APPROVED BY	DATE	DRAWING NO.	PART NO.
THIS SHEET ALSO USED FOR		3rd ANGLE PROJECTION	
DIMENSIONAL TOLERANCES UNLESS OTHERWISE SPECIFIED:		DO NOT SCALE DRAWING	
MILLIMETRES	INCHES		
1 PLACE ± 0.3 mm	2 PLACE ± .01		
2 PLACE ± 0.003 mm	3 PLACE ± .001		
3 PLACE ± 0.015 mm	4 PLACE ± .0005		

QTY. LINE NUMBER(S)		MANUFACTURER/DESCRIPTION		PART (MODEL) #
PART NO.		SHEET	SHEETS	DRAWING NO.
DES. BY	DET. BY	TITLE		
LA	MM	INSTRUMENT LOOP-ALTER STEAM PLANT A		
CHECKED BY	SAFETY OK			
DATE	SCALE	DIVISION:		
		PLANT:		
		LOCATION/ACTIVITY:		